



Saturn[®] Fasteners

Bolted for life.[™]



 an
acument[®]
GLOBAL TECHNOLOGIES
company

SATURN FASTENERS, INC.

www.saturnfasteners.com



Saturn Fasteners, Inc. is an aerospace manufacturer of high strength, quality fastening systems of AN, MS, AS, NAS, and NA standards as well as custom, unique fasteners. With over 25 years of experience and production capacity of 40 million pieces, Saturn Fasteners is equipped to manufacture both standard and specialty bolts, screws, studs, taper pins, clevis pins, and other special configuration fasteners. Saturn is a multimillion dollar a year company built on high product quality, on time delivery, and competitive pricing. Based on corporate philosophy of customer focus, continued growth, and continuous improvement, Saturn is known as a world class provider of precision aircraft and aerospace fasteners with numerous supplier awards from major original equipment manufacturers and distributors.



Our commitment to customer satisfaction:

- Quotes returned within 24/48 hours
- Expedites available on request, no extra cost
- 16 week standard lead time
- No cancellation charges
- LTA's and pricing agreements offered

Blanking Programs Available

Saturn offers a **NEW** creative and unique **BLANKING PROGRAM** designed to drastically reduce lead time to as low as one week.

Thread sizes and Lengths

Diameter sizes - 1/12" to 1 1/4"
 Length sizes - 3/16" to 14"

Materials

Titanium	MP35	13-8
A286	MP159	17-4
Alloy Steel	Inconel 718	H-11
Aluminum	Waspaloy	Brass

Screw and Bolt Head Styles

Torx	Studs	Hex
Torx Plus	Pan	12 Point
Flat Fillister	Pins	Flush
Spline	Tri-Wing	ACR
Socket Head Cap Screws		
Offset Cruciforms		

Internal Capabilities

Grinding	Lab Testing
Hot Forging	Point / Shave
Cold Heading	Cross Hole Drilling
Progressive Hot Heading	Fillet Roll and Thread Rolling
Lightening Hole Drilling	

ATURN FASTENERS, INC.

www.saturnfasteners.com

Quality Assurance

Saturn Fasteners, Inc. is committed to provide quality externally threaded fastening systems that meet customer specific requirements through:

- A continuous commitment to enhance customer satisfaction
- A focus on quality from customer request to product shipment
- A strong, competent, and flexible workforce that can change to meet market needs
- A commitment to continuous improvements in quality, manufacturing and customer support

Saturn Fasteners, Inc. has a highly trained and experienced quality staff to ensure products meet or exceed our customers requirements. Our fully equipped testing laboratory includes fatigue, tensile, shear, torque, hardness, and stress durability testing equipment.



We maintain a quality system that is registered, accredited and meets customer specific, national and international quality systems standards.

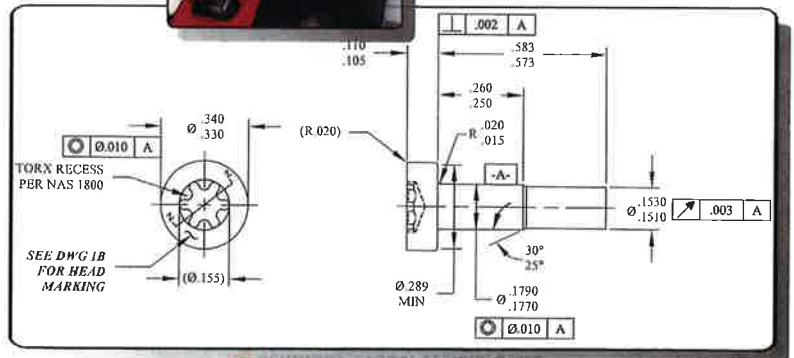
Major Approvals

Jet Propulsion Laboratory
Marvin Engineering
Bell Helicopter
Fuji Industries
Raytheon
Agusta
Aerojet

Northrop Grumman
Lord Corporation
Harbin Aircraft
Bombardier

BAE
NASA
Comac
Aerolia
Embraer
Gulfstream
Rolls Royce
Boeing Military
Lockheed Martin

Aernnova
Cessna
Hartzell
XAC



Specializing in build to print



The following parts are currently produced by Saturn. Please contact Saturn for any similar parts and build to print parts that are not identified on this listing.

NAS SERIES	NAS 623 - 826 NAS 653 - 658 NAS 673 - 678	NAS 1303 - 1318 NAS 1402 - 1406 NAS 1578 - 1581	NAS 2845 NAS 2853 NAS 2903 - 2916	NAS 5400 - 5406 NAS 5500 - 5506 NAS 5600 - 5606	NAS 7500 - 7516 NAS 7600 - 7616 NAS 7700 - 7706
NAS 144 - 147	NAS 1003 - 1020	NAS 1603 - 1610	NAS 3003 - 3018	NAS 5700 - 5706	NAS 7800 - 7806
NAS 183 - 184	NAS 1096	NAS 1620 - 1628	NAS 4104 - 4116	NAS 5800 - 5806	NAS 7900 - 7906
NAS 221 - 227	NAS 1100 - 1128	NAS 1630 - 1634	NAS 4204 - 4216	NAS 5900 - 5903	NAS 8000 - 8006
NAS 333 - 340	NAS 1131 - 1138	NAS 1742 - 1743	NAS 4304 - 4316	NAS 6000 - 6003	NAS 8100 - 8106
NAS 354	NAS 1141 - 1148	NAS 1785	NAS 4400 - 4416	NAS 6100 - 6103	NAS 8200 - 8206
NAS 428	NAS 1151 - 1160	NAS 1790	NAS 4500 - 4516	NAS 6203 - 6220	NAS 8302 - 8304
NAS 464	NAS 1161 - 1168	NAS 1801 - 1802	NAS 4600 - 4616	NAS 6303 - 6320	NAS 8602 - 8616
NAS 467	NAS 1171 - 1178	NAS 1953 - 1968	NAS 4703 - 4716	NAS 6403 - 6412	NAS 8702 - 8716
NAS 501	NAS 1181 - 1191	NAS 1972 - 1980	NAS 4803 - 4816	NAS 6603 - 6620	NAS 8802 - 8816
NAS 514	NAS 1202 - 1210	NAS 1982 - 1990	NAS 4903 - 4916	NAS 6703 - 6720	NAS 9001 - 9106
NAS 517	NAS 1218	NAS 1992 - 2000	NAS 5000 - 5006	NAS 6803 - 6812	NAS 9101 - 9106
NAS 560	NAS 1221	NAS 2803 - 2810	NAS 5100 - 5106	NAS 7103 - 7116	NAS 9201 - 9206
NAS 563 - 566	NAS 1223 - 1234	NAS 2813 - 2826	NAS 5200 - 5206	NAS 7203 - 7216	NAS 9603 - 9616
NAS 600 - 606	NAS 1261 - 1279	NAS 2832 - 2836	NAS 5300 - 5306	NAS 7303 - 7316	NAS 9703 - 9716
NAS 607	NAS 1297 - 1299	NAS 2842	NAS 5310 - 5321	NAS 7400 - 7416	NAS 9921 - 9922
LOCKHEED	1A67452 LS 42651 LS42652	LS42679 LS8761 5PTV	JSFB23 JSFB34 JSFB42	LK107 LK108 LK109	C9772 C20597 C20645
1A61316	LS42654	JSFB03	JSFB43	LK110	ST26D29
1A61317	LS42655	JSFB04	LK100	C4356	ST26D30
1A61318	LS42656	JSFB10	LK101	C7521	ST26D80
1A61319	LS42659	JSFB12	LK102	C7985	ST26D98
1A61320	LS42660	JSFB15	LK103	C7986	ST26D106
1A61321	LS42671	JSFB16	LK104	C9535	ST26D108
1A63753	LS42672	JSFB17	LK105	C9570	302-40149
1A63754	LS42678	JSFB22	LK106	C9771	302-40296
1A63755					
BELL HELICOPTER	120-186 120-194 120-064	120-236 120-237 120-238	120-265 120-266 120-267	120-278 120-279 20-057	20-116 20-119 100-051
120-161	120-216 120-220	120-240	120-269	20-065	100-067
120-163	120-225	120-254	120-270	20-096	100-087
120-182	120-230	120-259	120-271	10-106	100-144
120-183	120-232	120-261	120-272	20-113	100-147
120-184	120-233	120-264	120-276	20-114	100-238
MS SERIES	MS 9169 - MS 9171 MS 9206 - MS 9223 MS 9210 - MS 9220	MS 9487 - MS 9497 MS 9500 - MS 9508 MS 9518 - MS 9526	MS 9703 - MS 9724 MS 9782 - MS 9824 MS 9914 - MS 9916	MS 16208 MS 17293 - MS 17303 MS 18153 - MS 18154	MS 21090 - MS 21098 MS 21134 MS 21250
MS 9033 - MS 9036	MS 9217 - MS 9223	MS 9555 - MS 9580	MS 9923 - MS 9926	MS 20003 - MS 20012	MS 21279 - MS 21291
MS 9088 - MS 9091	MS 9283 - MS 9290	MS 9583 - MS 9591	MS 9957	MS 20065 - MS 20068	MS 21297
MS 9110 - MS 9112	MS 9292 - MS 9308	MS 9622 - MS 9657	MS 1220	MS 20073 - MS 20074	MS 27039
MS 9122 - MS 9123	MS 9440 - MS 9459	MS 9362 - MS 9648	MS 14181	MS 20392	MS 51095 - MS 51099
MS 9146 - MS 9148	MS 9462 - MS 9468	MS 9685 - MS 9765			
METRIC SERIES	NA 0067 - NA 0070 NA 0089 - NA 0092 NA 0113 - NA 114	NA 0253 NA 0273 - NA 0274 DIN933M6 DIN933M8	GULFSTREAM GAB510 GAB511 GAB512	ROLLS ROYCE J643 J645 J646	J648 J814 J815 J816 J826
NA 0035 - NA 0039 NA 0042	NA 0123 - NA 0126 NA 0162	DIN9621M16 DIN7991M12			
NA 0045 - NA 0047 NA 0060	NA 0252				
BOEING	3M939 3M39 3M943	ST3M430 ST3M466 ST3M557	PE 21094 PE 21101 PE 21107 PE 21114	EMBRAER PE 21115	PE 21116 2317-5147 2317-1137 2317-6006
3M1165	3M1275	ST3M627			
3M1169	3M1276	ST3M747			
3M1170	3M1277	S2656010	DS83		ST12404
3M1215	3M1278	S2656011	DS92	JPL	ST12405
3M1216	3M1282	S2656012	DS136		ST12406
3M1217	3M1319	S2923978	ST12007		ST12407
3M1262	3M1373	S4928913	ST12399	ST12401	ST12424
3M 1273					
CESSNA	S3455 S3461 S3322C10	BOMBARDIER B0201081 B0201083	AGUSTA A427 A428 A875	AN SERIES AN 3 - AN 20 AN 21 - AN 37 AN 42 - AN 49	AN 101006 - AN 108200 AN 115401 - AN 117080 AN 121601 - AN 121874
S3322S10	S3840	NORTHROP 3NG0096		AN 173 - AN 186	AN 125951 - AN 130774
S3354	S3971	NGB510GT		AN 385 - AN 386	AN 148551 - AN 149350
S3383	S4181				AN 150501 - AN 163400

Saturn Fasteners, Inc. · 425 S. Varney St. · Burbank, CA · 91502
Phone (800) 947-9414 · Fax (818) 846-0003 · www.saturnfasteners.com